



SL-404 CABLE EMI TESTER

The SL-404 Cable Electromagnetic Interference (EMI) Tester is designed to test the emission level of cables designed for Mobile High-Definition Link (MHL®) 3.x applications. Operating at 6 Gb/s data rate, the SL-404 Tester provides a simple integrated solution to cable manufacturers who need to test MHL 3.x cables before submitting test results to the MHL Authorized Test Center (ATC) for obtaining their EMI compliance certificate.

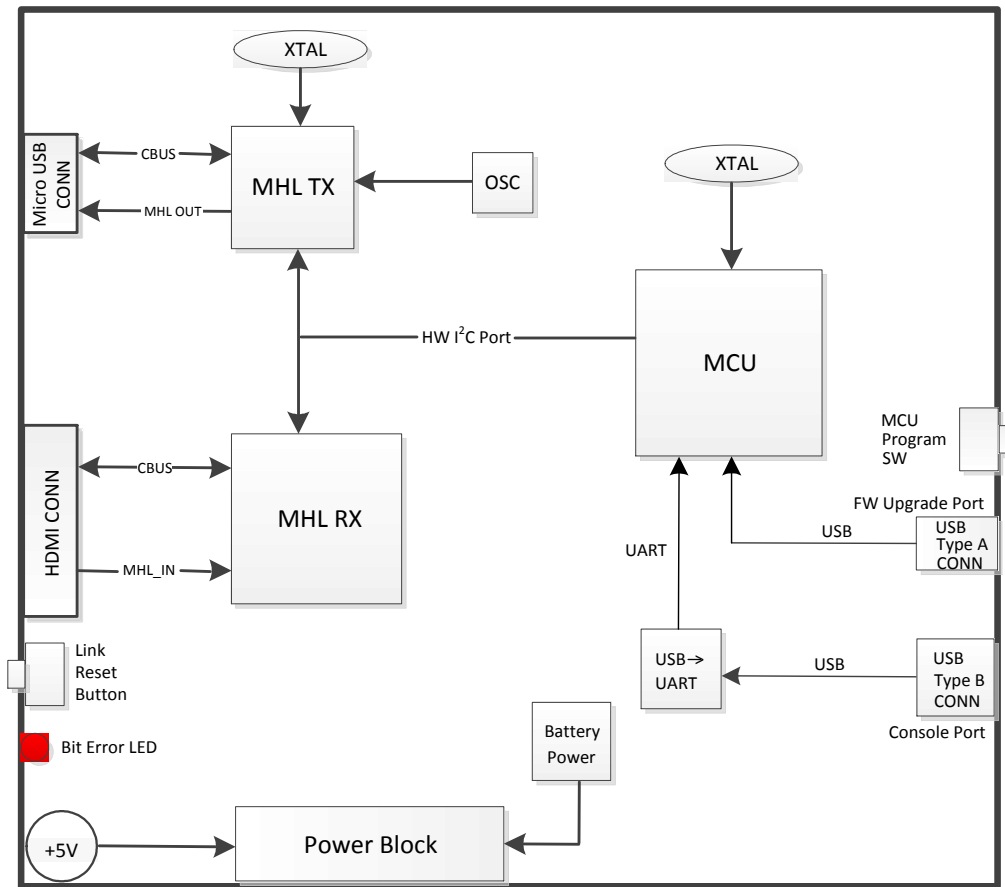
TARGET APPLICATION

Prerequisite compliance testing for cable certification to MHL 3.x Specification.

FEATURES AND BENEFITS

- Meets MHL 3.x Specification generating random data at 6 Gb/s
- Uses eight 2100 mA AA re-chargeable batteries
 - Low power consumption, able to last over 4 hours
- Provides a simple and integrated solution
 - Acts as a source and sink by design
- Supports cables with micro USB to HDMI
- Bit error indicator light

SL-404 CABLE EMI TESTER BLOCK DIAGRAM



Simplay Labs

Product Name: SL-404 Cable EMI Tester

Manufacturer: Simplay Labs LLC
 Brand Name: Simplay Labs
 Model Number: SL-404
 Dimensions: 1.77 in. (45 mm) H x 5.51 in. (140 mm) W x 7.87 in. (200 mm) D

Customer Support Information

email: info@simplaylabs.com
 phone: 1-888-436-4411
 web site: www.simplaylabs.com
 Check the web site for news and updates for SL-404 Cable EMI Tester
 Simplay Labs, LLC | 1140 E. Arques Ave. Suite 700
 Sunnyvale, CA 94085

Copyright © 2014 Simplay Labs, LLC. All rights reserved.